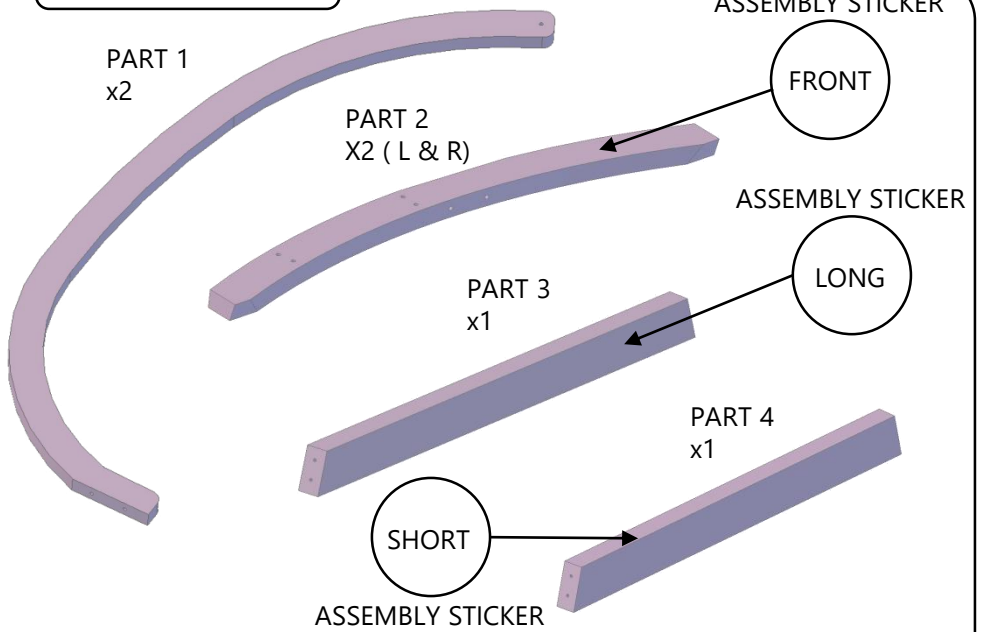




Optimist M/L & Genoa

SKU 054244, 054245, 054270

PARTS



A x2
LONG



B x2
SHORT



C x4



D x4



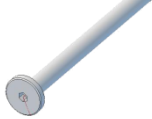
E x6



F x4



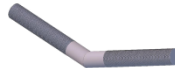
G x8



H x2



I x1



J x1



x1 (in box)



x1 (in box)



x1 (in box)



STEP 1

ASSEMBLY OF THE BASE

DO NOT TIGHTEN BOLTS/NUTS



ASSEMBLY STICKER

LONG

PART 3

G x2

PART 4

F

PART 4

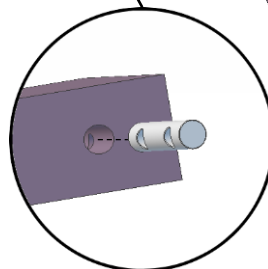
SHORT

PART 4

ASSEMBLY STICKER

FRONT

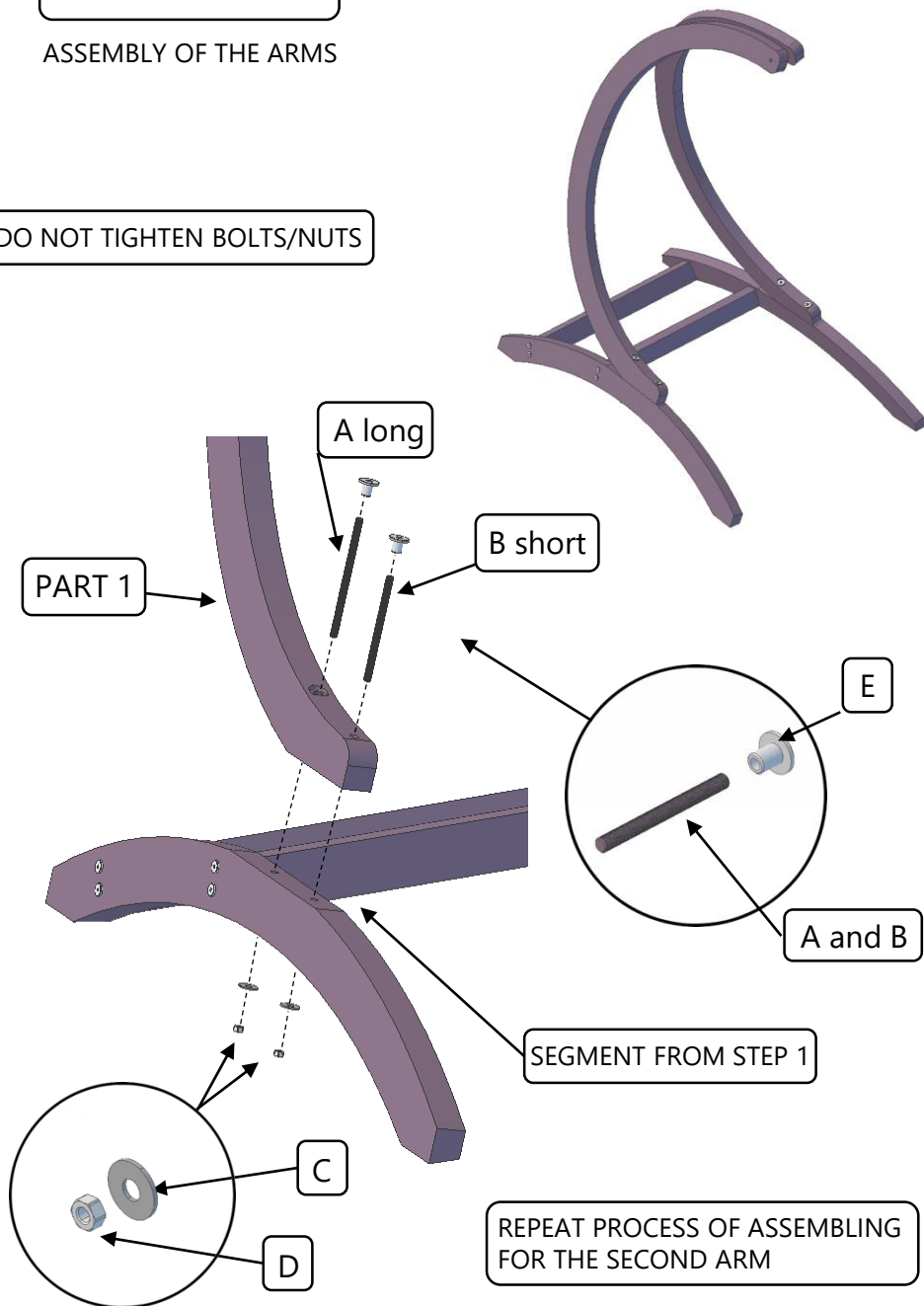
ASSEMBLY STICKER



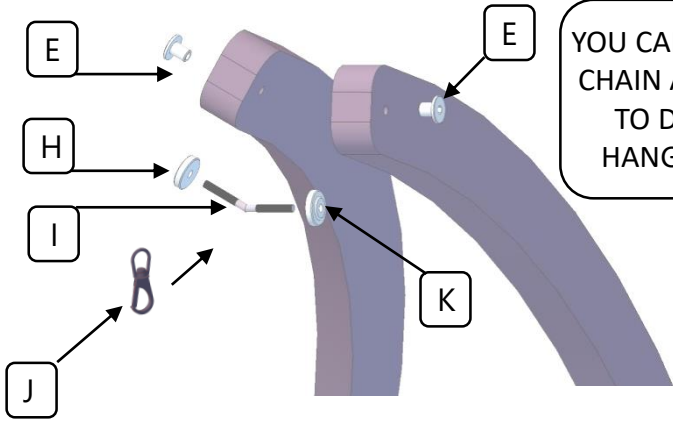
STEP 2

ASSEMBLY OF THE ARMS

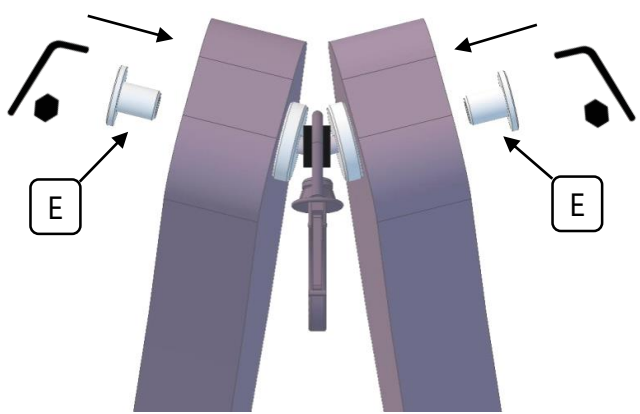
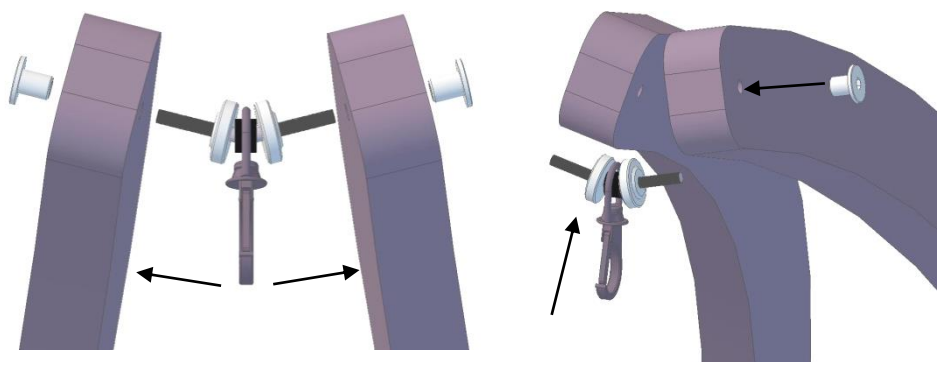
DO NOT TIGHTEN BOLTS/NUTS



STEP 3



YOU CAN USE ATTACHED CHAIN AND CARABINER TO DECREASE THE HANGING POSITION



REMOVE ASSEMBLY STICKERS AND TIGHTEN ALL JOINTS